



VE.650



CONTROL PANELS:
VE.650 ———— DA.24V



ROAD BARRIERS

integrated control box
equipped with 2 neutral springs
for passages up to 6.5 m

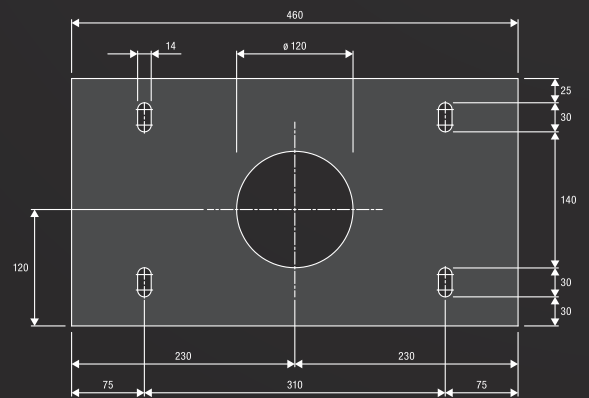
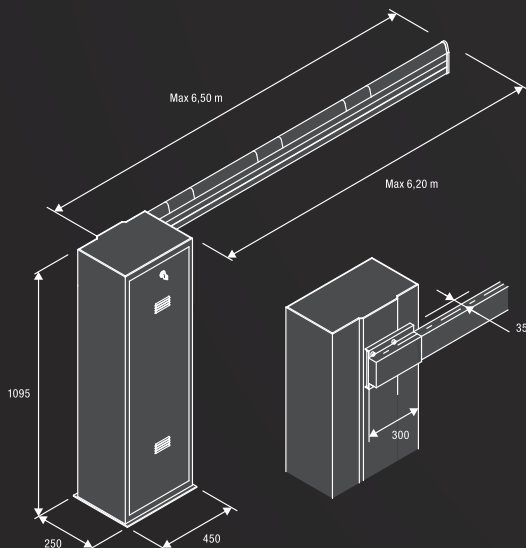
**FOUNDATION PLATE
AND RECEIVER
NOT INCLUDED**



RAL 2009

24 Vdc | intensive use

- Electromechanical 24 Vdc right barrier for intensive use. The barrier can be easily converted to left operation
- Optional built-in FTC.S photocells thanks to the innovative hide-away system that allows for their perfect integration
- 2 adjustable mechanical stops
- Optional battery powered operation
- Amperometric sensor obstacle detection system to prevent crushing
- Three adjustable limit switches for the braking phases and the closure position
- Stainless steel version VE.650I available
- Foundation plate accessory with VE.P650 coach screws



VE.P650



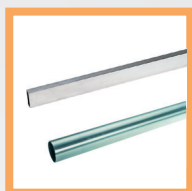
VE.650A
9081030

6,5 m white painted, aluminium arm. Caps are included (6500x100x40). For VE.650/I. Available in two pieces needs the joint (VE.GT24).



VE.C650
9081026

Ø 90 mm white painted aluminium round section arm. Caps are included L=6500mm. Suitable for very windy places. Available in two pieces needs the joint (VE.GT90).



VE.GT24
9424035

Aluminium joint for VE.650A.

VE.GT90
9424006

Aluminium joint for VE.C650.



VE.RP
9270001

Protection rubber for VE.650A with aluminium profile and caps.

Packing: 10m



VE.P650
9623069

Foundation plate with coach screws for VE.650.



VE.TERM
9864010

Thermostat for very cold places.



VE.AM
9078020

Mobile support for bars.



VE.RAST
9672010

Aluminium rack L= 2 m. H= 60 cm



VE.AF
9078010

VE.AFI
9078015
Painted/ Stainless steel fixed support for bars.



VE.KMB
9576190

VE.KMG/N
9576210 / 9576220
Spring for VE.650/I yellow, neutral or white.



VE.KM24
9576040

Set of 3 springs for VE.650/I: yellow, neutral, white.



VE.L650
9534060

Flashing light set for VE.650A.



VE.KM1HN
9614267

VE.KM2HN
9614268
Single/two-channel loop detector.



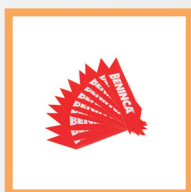
VE.CS
9760050

Traffic-light control unit for LED.TL.



LED.TL
9766003

2 light 230 Vac LED traffic light.



VE.CAT650
9549010

Set of 20 adhesive refractor strips for VE.650A/VE.C650.



ESA BASIC
9176108

System that reduces the electrical energy consumption. In the VE.650 model, the use of ESA BASIC is not compatible with the battery operation.



KSUN
9611004

KIT for system operation via solar panel. For 24 Vdc models.

MADE IN ITALY

AUTOMATISMI BENINCA SpA • via del Capitello, 45 • 36066 Sandrigo (VI) ITALY • T +39 0444 751030 • F +39 0444 759728 • sales@beninca.it

ACCESSORIES FOR USE	TYPE OF SPRING	BAR LENGTH (m)
VE.AM - VE.L650 - SC.RES - VE.RP - VE.RAST	1 neutral	4,5
VE.AM - VE.L650 - SC.RES - VE.RP - VE.RAST	1 yellow + 1 neutral	5
VE.AM - VE.L650 - SC.RES - VE.RP - VE.RAST	1 yellow + 1 neutral	5,5
---	1 yellow + 1 neutral	6
VE.AM - VE.L650 - SC.RES - VE.RP - VE.RAST	2 neutral	6
VE.AM - VE.L650 - SC.RES - VE.RP - VE.RAST	2 neutral	6,5

Installations of VE.RAST, SC.RES and VE.RP are mutually exclusive.

TECHNICAL DATA	VE.650
Code	9083104
Power supply	230 Vac (50-60Hz)
Motor supply	24 Vdc
Max absorbed current	1,6 A
Torque	285 Nm
Opening time	5" - 7"
Operation cycle	intensive use
Protection level	IP44
Operating temperature	-20°C /+50°C
Weight	80,2 kg
Items no. per pallet	6